

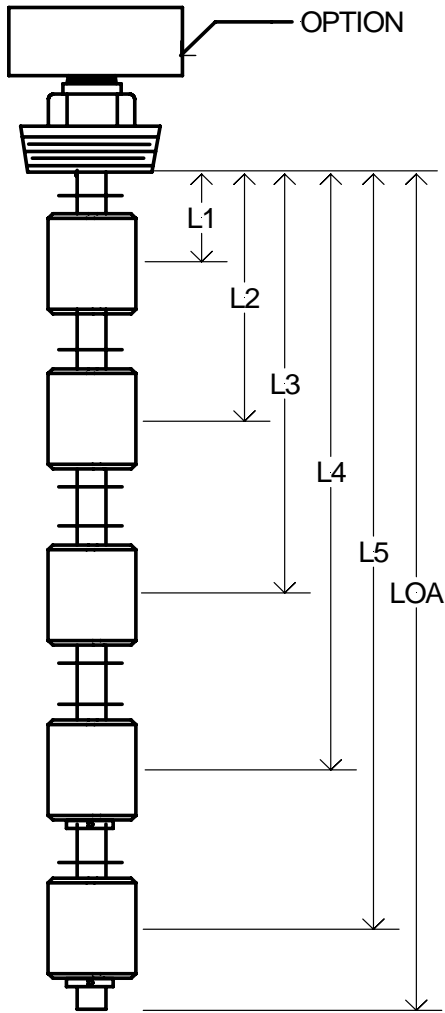
Almeg Pricing – 5 Level Order Sheet – Large Size Alloys

Multi – level products are custom manufactured

If this doesn't fit...request a design..no extra costs

Select from the following guidelines.

ORDER SHEET
LARGE SIZE ALLOY



Company Name _____

Customer Name _____

Email _____

Phone _____

Fax if no email _____

NOTE:

1: Most multi-level switches c/w a ½" NPT facing up.

Select an option from the [option page](#)

2: Select probe material

316 Stainless or Brass

3: Select NPT Fitting Size, Flange

Or Nothing. Min – 1-1/4" NPT

Or – any – facing up.

For smaller sizes see:

Small Multi - Level Switch

4: Select Float: **"X"** Selection

3" Stainless or other _____

2" Stainless Fits 2" NPT _____most popular

1 ½" Stainless Fits 1 ½" NPT _____

50 mm Buna Fits 2" NPT _____

47 mm Buna Fits 2" NPT _____most popular

39 mm Buna Fits 1 ½" NPT _____

29 mm Buna Fits 1 ¼" NPT _____

47 mm PVC Fits 2" NPT _____

47 mm PP Fits 2" NPT _____

Differential Float Fits 2" NPT

Floats in water – sinks in

Hydrocarbons..other specific

gravities are available. _____

5: Select the switch locations and state.

N/C – close on fall – open on rise

N/O – open on fall – close on rise

SPDT – 3 wires both N/O and N/C

Select in the DRY position.

L1 = ____ N/____

L2 = ____ N/____

L3 = ____ N/____

L4 = ____ N/____

L5 = ____ N/____

LOA = Bottom level PLUS 2"