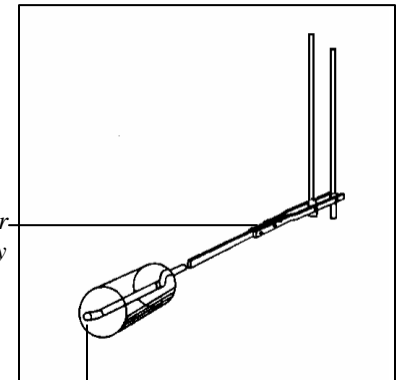
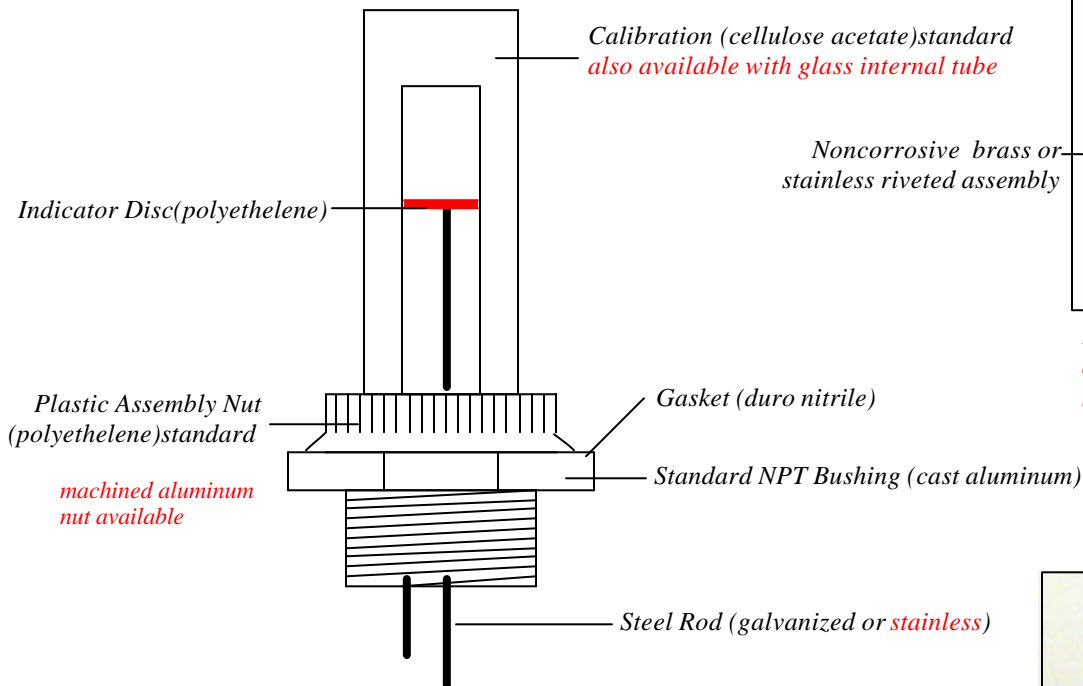


# THE AT -A- GLANCE

# Direct Reading Gauge

*One of the Industry's Most Popular Gauges*



Float (polyethelene) standard  
*also available in stainless steel and nitrophyll*

**The At-A-Glance Type D Gauge is a reliable, swing arm type gauge used for measuring all types of liquid levels. Its simple mechanical design promotes durability, minimal upkeep, and easy/inexpensive repairs. With its many available options (see page 6) it is a versatile and inexpensive solution to all of your tank monitoring needs.**



- Available with optional ALARM (see page 17)

# THE AT -A- GLANCE

# Direct Reading Gauge

---

- A. **CALIBRATION ASSEMBLY:** Inner and outer plastic housings with printed calibration paper between housings. Withstands up to 70 PSI. (**options**-glass inner piece)
- B. **INDICATOR DISC:** Red HDPE plastic
- C. **LOCK NUT:** Red plastic to hold calibration assembly in place. (**options**-aluminum lock nut)
- D. **DURO NITRILE GASKET:** On which flanges on base of calibration assembly are firmly seated to prevent leakage. (**options**-viton gasket)
- E. **ALUMINUM DIE CAST BUSHING:** Type D-1.5 fits 1.5” standard npt tank flange. Type D-2 fits standard 2” npt tank flange. This is the only part of the gauge that differs between types D-1.5 and D-2. D-0.75” fits standard 0.75” npt tank flange. The float is smaller on this version.
- F. **STANDARD ROD:** 0.1875 dia. galvanized steel rod. (**options**-stainless steel)
- G. **PUSH ROD:** 0.125 dia. galvanized steel rod activates indicator disc by movement of float arm (I). (**options**-stainless steel)
- H. **BRASS RIVETS:** Four brass tubular rivets. (**options**-non-riveted, stainless)
- I. **FLOAT ARM ASSEMBLY:** 0.1875 x 0.0625 galvanized steel flat rod, including bracket and rod, attached to standard, push rod, and plastic float. (**options**-stainless steel)
- J. **PLASTIC FLOAT:** High density polyethelene float 1.125” dia. x 3.0” long. (**options**-stainless float, nitrophyll float, 3/4” float poly, 3/4” float nitro.)

At-A-GLANCE Gauges are manufactured to fit specific tank depth dimensions, 6 inches to 12 feet. Although we do recommend the L Gauge (page...18) on tanks 10” and under. Standard rod (F), push rod (G), float arm assembly (I) are varied in length to provide correct operation of gauge.

**Ordering Instructions**—Part numbers are as follows: D-(size opening)-(depth of tank in inches).

Example D-2-44. For vaulted tank instructions see page...25.

**Other Available Options**—Alarm (page...17), Gauge Guard (page...20)