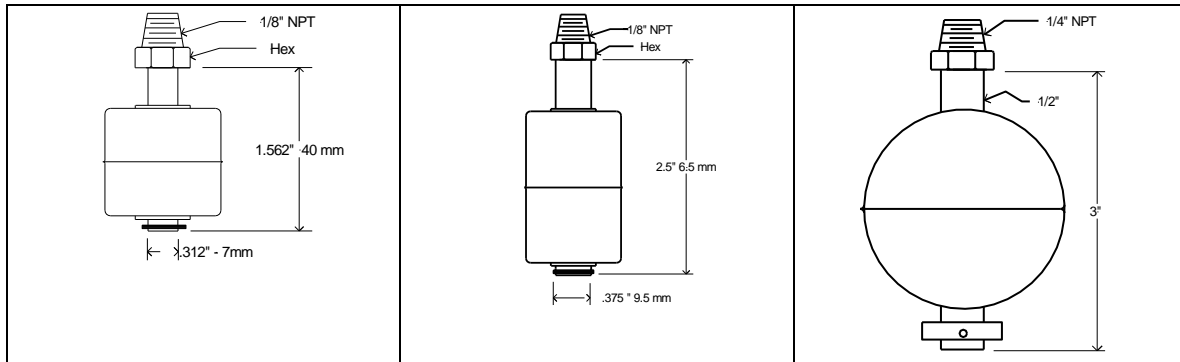


# Single Activation - Float Level Switches

Used for High- or Low-Level Alarm applications

- ✓ Small, Medium or Large sizes
- ✓ Install in top or bottom of a tank
- ✓ Variety of stem and float material combinations
- ✓ 1/8" or 1/4" NPT connection
- ✓ High resistance to vibration and shock
- ✓ Switch state easily changed from N/O to N/C
- ✓ 100% of our switches are tested before shipping
- ✓ Stainless Steel floats are pressure tested and weighed
- ✓ Explosion Proof model available
- ✓ Custom controls available for all our switches
- ✓ Powerful 240 Volt AC/DC @ 0.5 amps resistive – carry 2

Small Size



## Small Size Part Number

Probe Material	SS Float	Buna Float	PP Float	Kynar Float
Stainless Steel	SVS12	SVB12	SVP12	
Brass	BVS12	BVB12	BVP12	
Kynar (PVDF)				KVK12

## Medium Size Part Number

Probe Material	Buna Float
Stainless Steel	SVB12

## Large Size Part Number

Probe Material	SS Float	Buna Float	PP Float
Stainless Steel	SXS25	SXB25	SXP25
Brass	BXS25	BXB25	BXP25

## Floats Operating Range

	PSI	Temperature	Sp. Gr.	Weight
316 Stainless Steel	500 psi	- 40 to 300 F	Std. is – 0.72	7.6 g
Closed Cell Buna	200 psi	- 40 to 225 F oil	0.47	5.42 g
Kynar ( PVDF)	100 psi	100 F	0.7	6.5 g
Polypropylene	100 psi	100 F	6.5	6.5 g