

What it Does?

A magnetic or by pass level indicator provides a visual indication of the level in a vessel. A series of flags visually indicates the level from a good distance. The flags are remote from the liquid thus no process will leak - even if the flag housing is damaged.

Several reed switch points can be added to the outside for point indication or the continuous model for a more exact remote reading. A stainless scale is available more accurate visual readings.



Magnetic or Flag sealed bottom option

How Does It Work?

The transducer probe encapsulates a tiny printed circuit board isolated from the probe wall and is sealed at the top preventing moisture from entering the assembly. As the magnetic equipped float travels the probe (following the liquid level) it taps off sections of the probe thus outputting a signal that is calibrated to equal the level.

Output can be resistive with 1 to 10 VDC, or a 4-20 output for other types of controls. It can control a local level meter, bar graph, adjustable start stop level or pump control, alarms, chart recorders, be directed to a web and more.



Continuous shown with ANSI flange



Multi level Small Size



Multi Level Style

Primary applications would be pump control, solenoid control, and valve control or other device in level or flow field. The product is ideal with a physical size of about 3"x 2"x 3.75" high and DIN rail ready - safe excite voltage of 24 VDC low mA. Simple to hook up and offers switch protection including time delay preventing nuisance activations.



Latching relay - to maintain a level



Stainless, Polypropylene, Custom



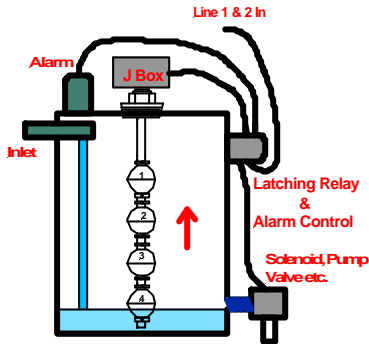
Side Mount

Principle of Level Sensor Operation
Level Control between 2 & 3 - plus High and Low Alarms

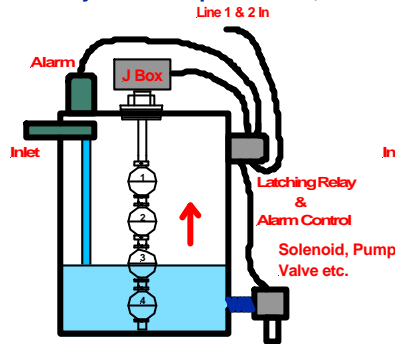
L1 = High Alarm N/O; L2 = High Level N/O; L3 = Low Level N/C; L4 = Low Alarm N/C

N/O = normally open - close on rise, open on fall

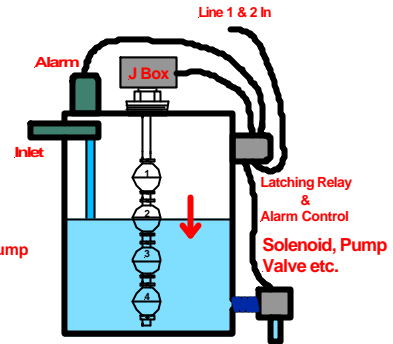
N/C = normally closed - open on rise, close on fall



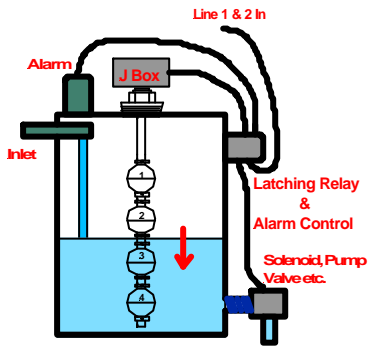
1:
Tank filling, system starts.
Liquid enters inlet



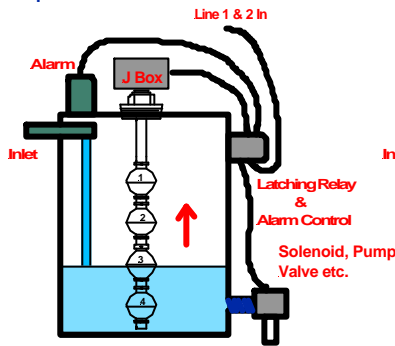
2:
Liquid hits "stop switch" but
nothing happens yet -
liquid continues to rise



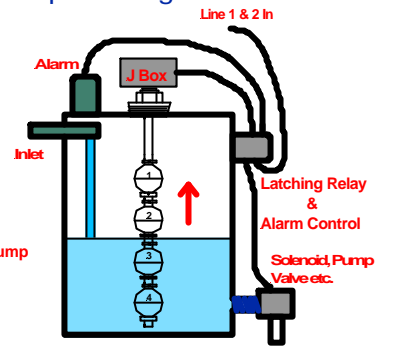
3:
Liquid hits "start switch" and
valve, solenoid or pump starts
up - draining the tank



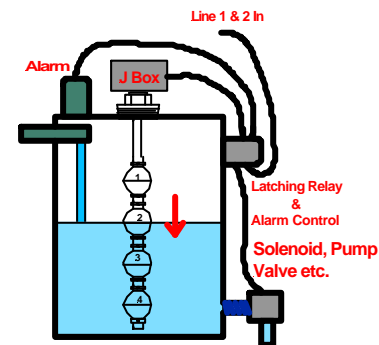
4:
Drain mode - if liquid happens
to slosh or hit the # 2 float
again nothing will happen as
relay is latched



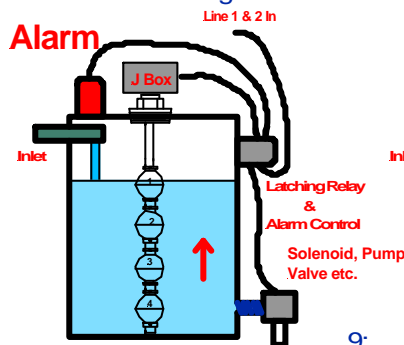
5:
3 has closed the valve
and tank starts to fill. If
liquid sloshes and hits level
3 again nothing will happen
as relay is latched - it's
looking for # 2



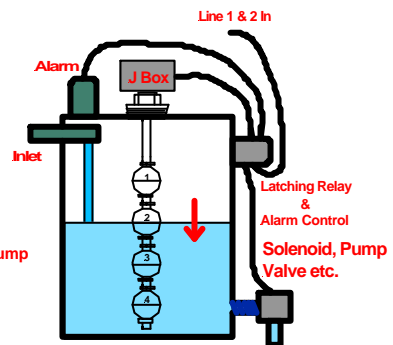
6:
Fill mode - if liquid happens
to slosh or hit the # 3 float
again nothing will happen as
relay is latched



7:
Liquid has hit # 2 again - the
valve opens - and the cycle
starts over again.
NOTE - the system can be
reversed - by changing wires



8:
OH - NO the valve has
probably stuck - the system
didn't drain - One or two
alarm levels are always a good
idea!!



9:
The problem has been resolved
and the "latching" system in
cycling. One switch point will
not control a level.
For tight applications - they
can be as close as 1/4" +/-