

DESCRIPTION

The Level Control Transducer has been designed for use in level monitoring applications and pump control for liquids.

The probe part of the gauge is manufactured from stainless steel. The floats can be stainless, Closed Cell Buna.

The Level Transducer can be configured from the factory in many lengths and configurations

KEY FEATURES

Max Length: 180"
 Operating Temperature: -20°C ~ 80°C
 Max Pressure: 80psig
 Max voltage: 30 VDC
 Supply voltage for 4-20mA: 8-30VDC

PRINCIPLE OF OPERATION

Hermetically sealed reed switches and a resistive chain are potted inside the transducer on an engineered printed circuit board. The float (stainless or Buna all contain either a rod or ring magnet potted or gripped inside). As fluid moves the float – its magnetic lines of force change the resistance output of the transducer.

APPROVALS

Conforms to UL STD 61010-1
 Certified to CSA STD C22.2#61010-1-12



SELECTION GUIDE

Fitting Size (1/2" NPT Conduit UP)	Fitting/Stem Material	Float Options	Options
150 = 1 1/2"	1 = 316 Stainless Steel	N = Ø52mm Ball; S/S, S.G.=0.65	N4 = NEMA 4X (with terminal block)
200 = (2")	2 = 360 Brass	P = Ø40 X 35mm; S/S, S.G.=0.68	ADJ = Adjustable (with compression fitting)
250 = (2 1/2")		Q = Ø46 X 76mm; S/S (DIFFERENTIAL FLOAT) S.G.=0.96	GEN = 4-20mA Signal Generator
300 = (3")		T = Ø47 X 47mm; BUNA, S.G.=0.42	
F100 = (1" FLANGE)		U = Ø40 X 45mm; BUNA, S.G.=0.4	
F150 = (1 1/2" FLANGE)		W = Ø30 X 45mm; BUNA, S.G.=0.4	
F200 = (2" FLANGE)		X = Ø52mm Ball; S/S, Weighted	
F300 = (3" FLANGE)			
SAE5 = (SAE5 FLANGE)			
SANF = (SANITARY FLANGE)			

EXAMPLE: CSR200-1-U-GEN

2" NPT, stainless fitting, Ø40mm X 45mm BUNA FLOAT, 4-20mA Signal Generator

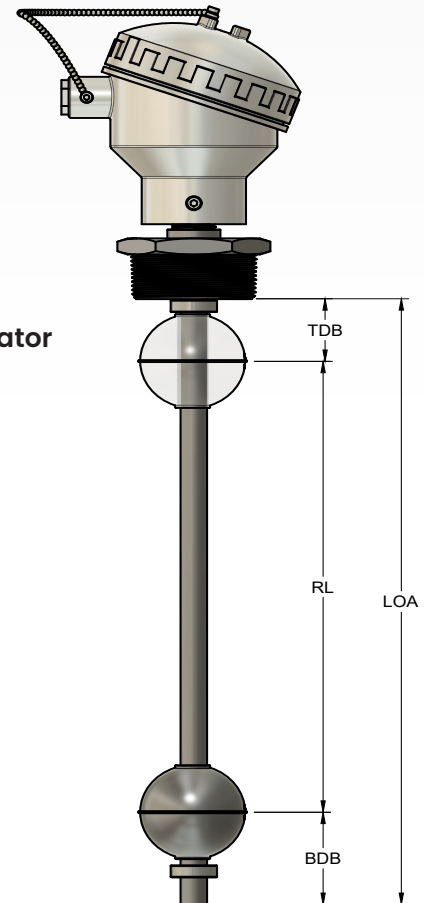
LEVEL DIMENSIONS

TDB = TOP DEAD BAND
 RL = READ LENGTH
 BDB = BOTTOM DEAD BAND
 LOA = LENGTH OVER ALL

TDB = 1" MIN ON ALL FLOATS
 BDB = 1" ON BUNA FLOATS
 BDB = 2" ON STAINLESS STEEL FLOATS

Available output:

- Custom resistance
- 4-20 mA
- Hart
- 0-5 volts
- 0-10 volts



OTHER OPTIONS:
 Custom mounts
 90 degree bend (for side mount application)
 Cable options
 Custom Lead lengths

IF YOU DO NOT SEE A SOLUTION FOR YOUR APPLICATION, PLEASE CONTACT US DIRECTLY. WE ARE HERE TO HELP!

